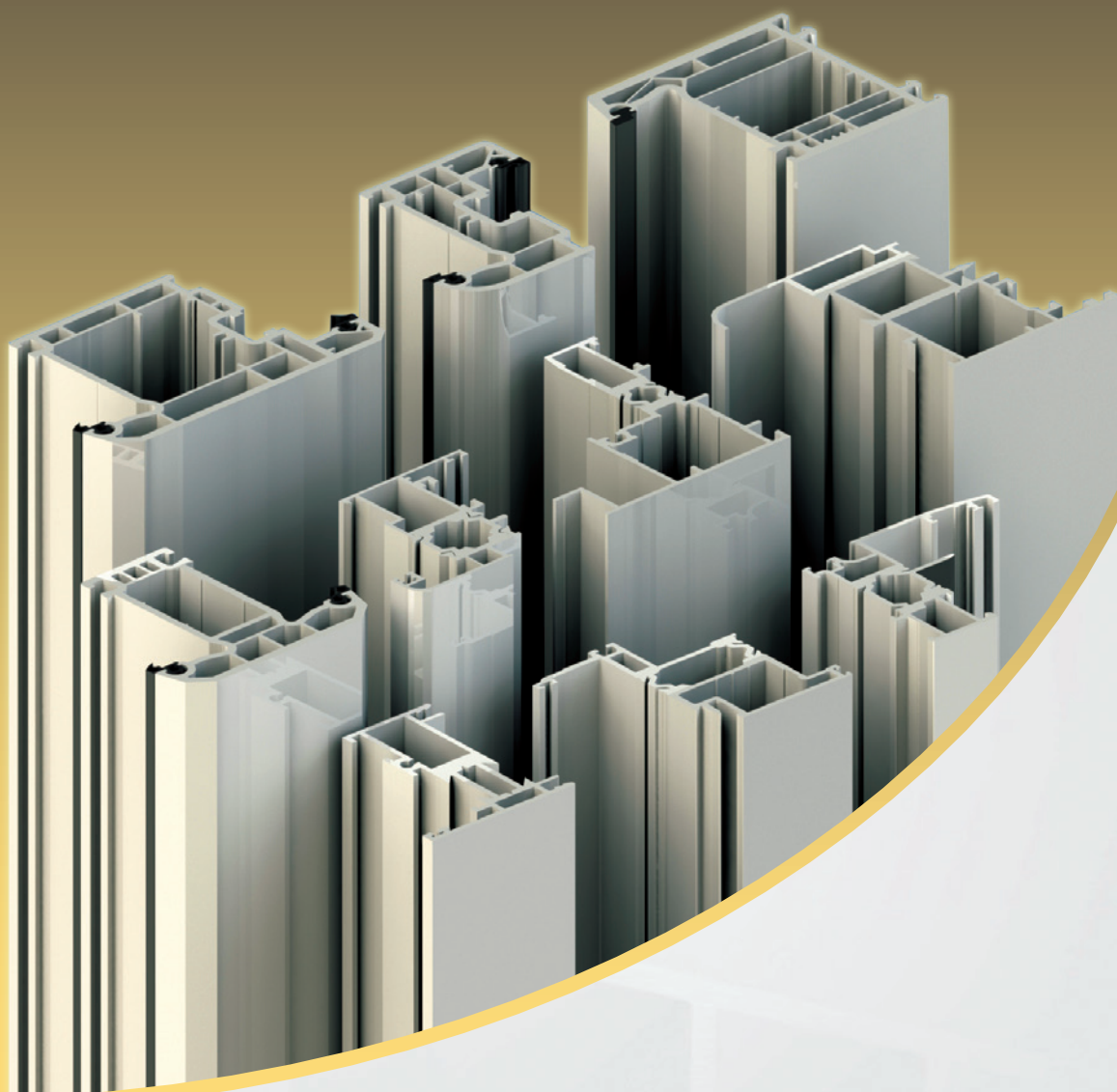


Single head cutting machines Outfeed and infeed roller supports

Machines for processing aluminium and PVC profiles



Machines fully designed and manufactured in Italy

PERTICI
INDUSTRIES

THE COMPANY

Pertici Industries, was founded in 1965 by Leto Pertici as Costruzioni Meccaniche Pertici.

Originally, the Company started off with the production of traditional wood-working machines and subsequently developed the production of machinery for the aluminium and PVC door and window industry.

Pertici has always been a competent and reliable supplier of machinery for the production of windows and doors with a range of products constantly developed and improved.

The volume growth and the extension of the production site, accompanied by a production cycle completely controlled inside, allowed Pertici to offer solutions of the highest quality and reliability able to meet the needs of every type of customer.

Thanks to these characteristics, since the eighties, Pertici has been the protagonist of a strong international expansion that allowed the creation of a solid distribution network around the world. In nearly fifty years of work, Pertici has installed tens of thousands of plants in Europe, America, Africa, Asia and Australia.

Today Pertici Industries is a world leader in the design and construction of machines and systems for the processing of aluminium and PVC profiles. Pertici develops and implements cutting-edge technology guaranteeing a global customer service which includes servicing, maintenance, installation, support and timely educational training.

The expertise and experience embedded in all the staff together with the strong presence in the global market are essential elements of the company constant development strategy.



PERTICI WORLDWIDE



















Single head cutting machines

The single head cutting machines are designed for cutting profiles made of PVC and/or aluminium and similar materials.

This Series is composed of various models each one different for cutting system and diameter blade, up to 650mm. These features, together with the solidity built-in structure, allow to carry out high precision cut on various profile dimensions.

Models

pag

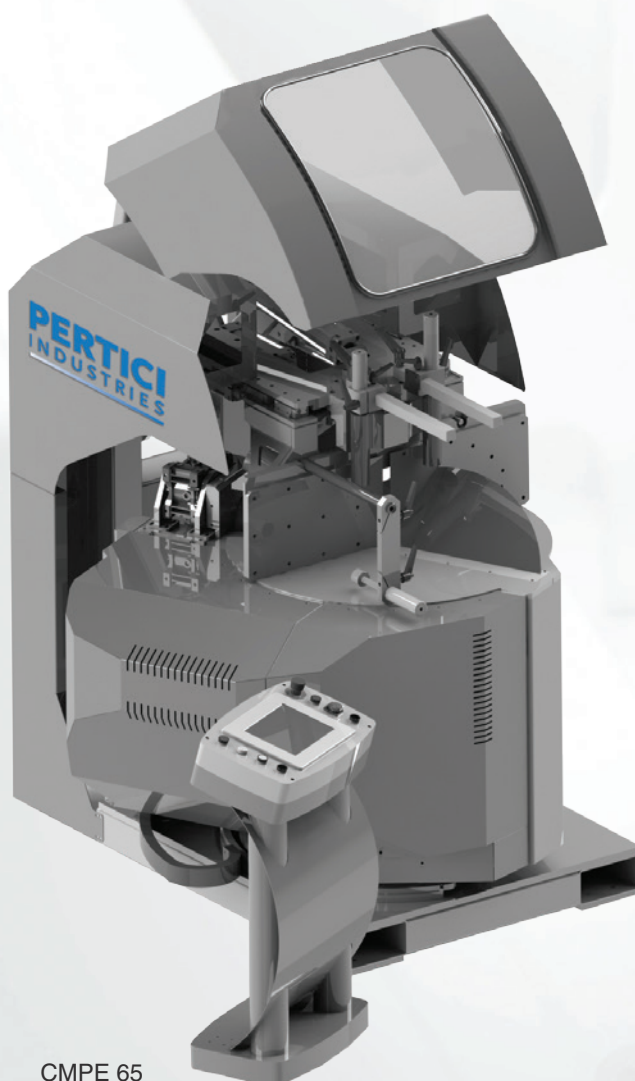
NEW	Electronic single head cutting machine compound cuts CMPE 65	 	6
	Semiautomatic single head cutting machine 50	 	8
	Semiautomatic single head cutting machine 55 FS	 	9
	Semiautomatic single head cutting machine 40 MP - 40 AI	  	10
	Semiautomatic "V" cutting machine VC 721		11
NEW	Semiautomatic beads cutting machine BS 772		12
	Semiautomatic beads cutting machine BS 771		13

Electronic single head cutting machine compound cuts CMPE 65

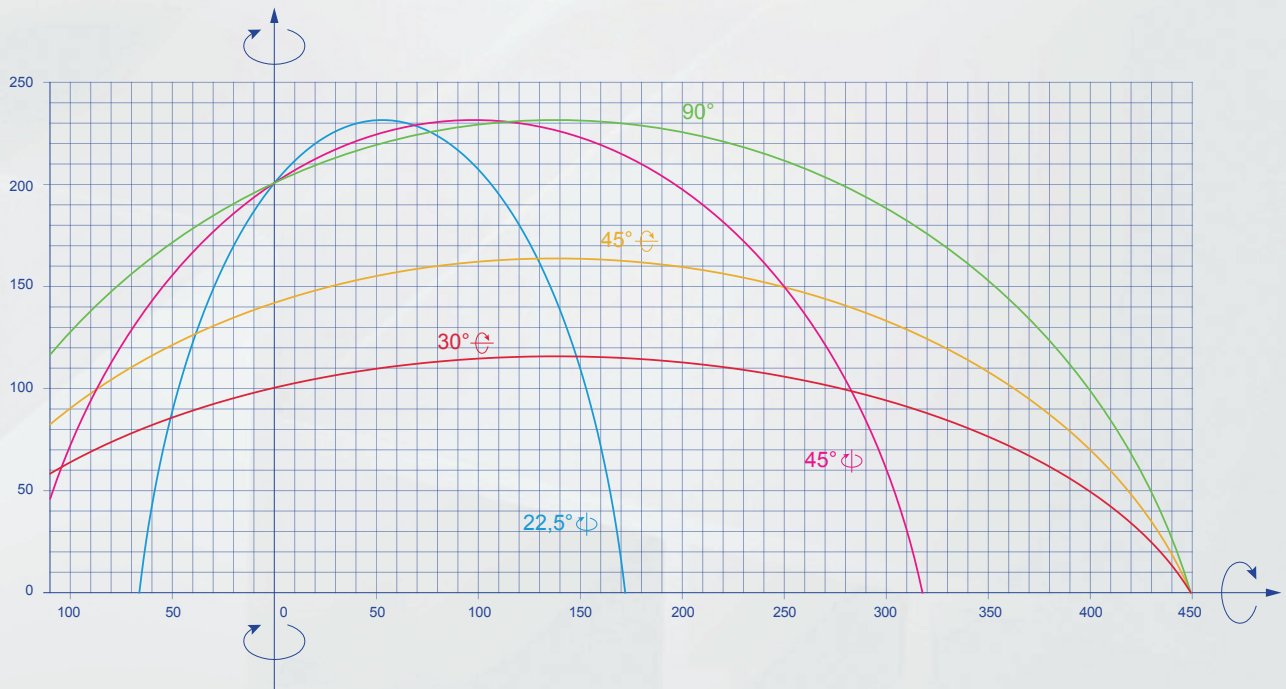
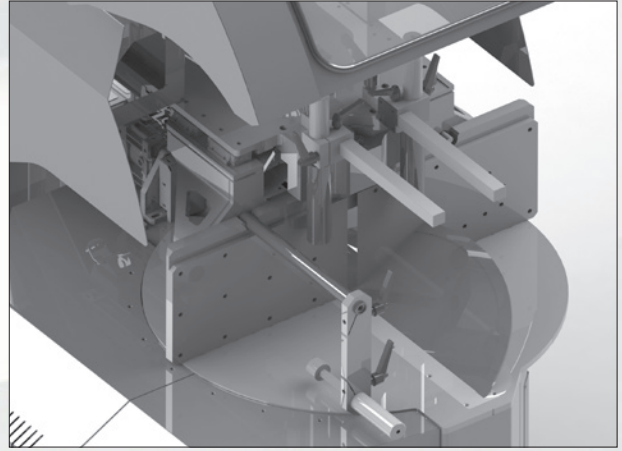
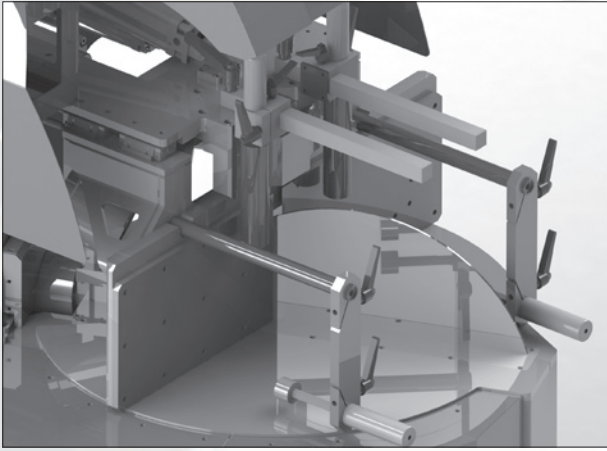
- Carbide saw blade 650 mm
- 2 CNC controlled axis (1 electronic tilting head and 1 electronic turning head)
- Electronic turning head from 22,5° ext to 22,5° int
- Electronic tilting head from 90° to 30° ext in clockwise direction
- Hydro-pneumatic blade feeding
- Integral pneumatic protection of cutting area
- Blades lubrication system
- Pair of horizontal pneumatic clamps with low pressure device
- Pair of vertical pneumatic clamps with low pressure device
- Blade motor power: 5,5 Kw
- Blades speed: 2800 rpm
- Power supply: 7 kW
- Air consumption: 18 NI'
- Dimensions (length x depth x height):
 - 1645 x 1925 x 2310 mm
- Weight: 1100 kg

Control features

- Windows Embedded operating system
- Complete diagnostic help on line
- Touch screen industrial PC panel TFT 10"
- USB port
- Ethernet port for LAN connection



CMPE 65



CMPE 65 cutting diagram

Semiautomatic single head cutting machine 50

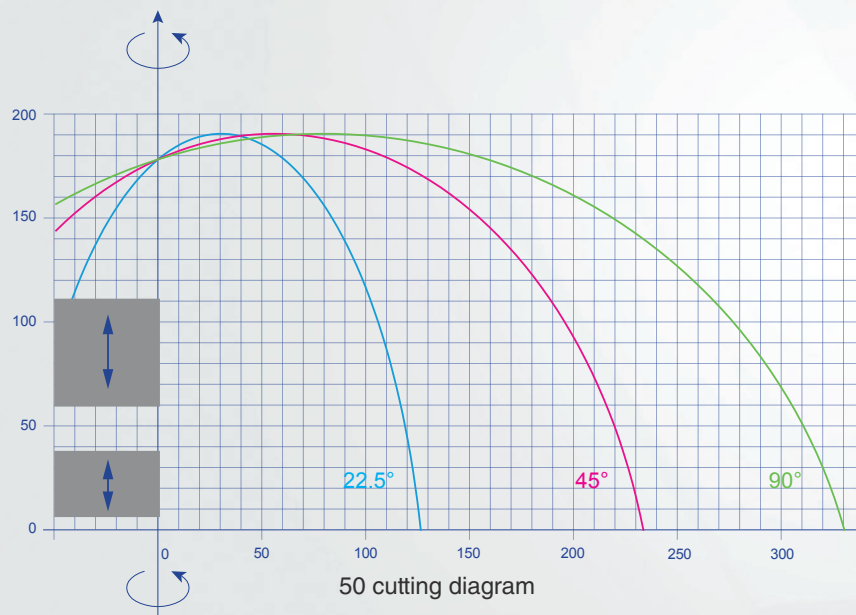
- Carbide saw blade 500 mm
- Single head rising blade saw
- Rotating surface with 7 fixed angular settings from 90° to 22,5° to right and left side
- Intermediate angular settings with a manual mechanical stop
- Angle reading on scale ruler
- Mechanically controlled protection of cutting area
- Blades lubrication system
- Pair of horizontal pneumatic clamps with low pressure device
- Pair of vertical pneumatic clamps with low pressure device
- Blade motor power: 4 kW
- Blades speed: 2800 rpm
- Power supply: 4 kW
- Air consumption: 32 NI'
- Dimensions (length x depth x height):
 - 1140 x 1150 x 1940 mm
- Weight: 520 kg

Options

- Side roller unit, loading side
- Side length stop, unloading side
- Laser pointer kit
- Carbide saw blade 520 mm

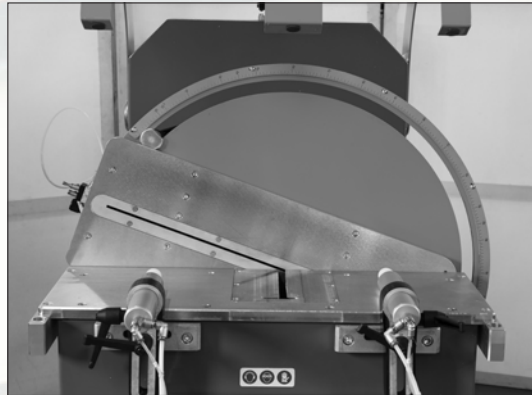


50



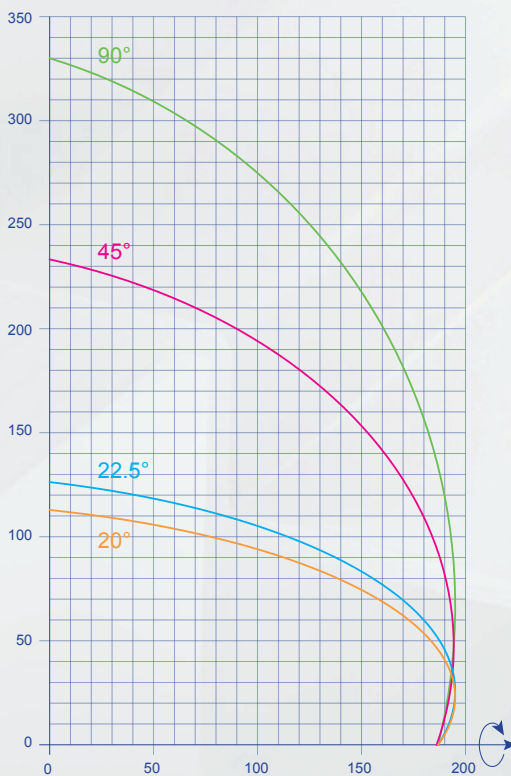
Semiautomatic single head cutting machine 55 FS

- Carbide saw blade 550 mm
- Horizontal blade feed
- Radial movement along linear guides
- Tilting by hydro-pneumatic cylinder to the left/right at fixed positions 20° - 45° - 90°
- Precision positioning to intermediate angles by hydro-pneumatic regulators
- Digital read out for cutting angles on the control panel
- Integral pneumatic protection of cutting area
- Blades lubrication system
- Pair of horizontal pneumatic clamps with low pressure device
- Blade motor power: 1,85 kW
- Blades speed: 2800 rpm
- Power supply: 1,95 kW
- Air consumption: 30 NI/'
- Dimensions (length x depth x height):
 - 960 x 1400 x 1800 mm
- Weight: 460 kg



Options

- Side roller unit, loading side
- Side length stop, unloading side
- Pair of vertical pneumatic clamps with low pressure device



55 FS cutting diagram



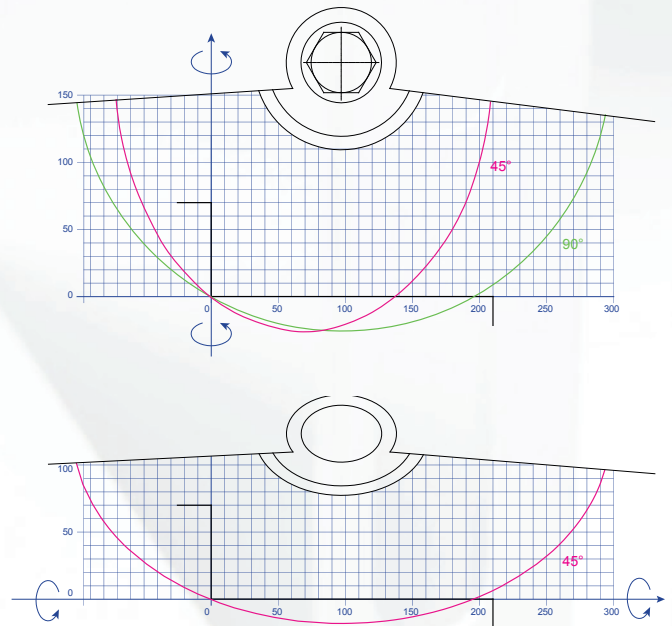
55 FS

Semiautomatic single head cutting machine 40 MP - 40 AI

- Carbide saw blade 400 mm
- Head lowering by hydro-pneumatic cylinder (only for 40 AI)
- Manual head lowering (only for 40 MP)
- Manual turning of the bed for cutting at 45° 0° 45° and intermediate angles on the vertical axis
- Manual side tilting of the heads for cutting between 0° and 45° external angle on the horizontal axis
- Cast iron plate
- Mechanically controlled protection of cutting area
- Blades lubrication system
- Pair of horizontal pneumatic clamps
- Pair of horizontal pneumatic clamps with low pressure device (only for 40 AI)
- Blade motor power: 2,2 kW
- Blades speed: 3200 rpm
- Power supply: 2,2 kW (2,3 kW for 40 AI model)
- Air consumption: 2 NI/' (4 NI/' for 40 AI model)
- Dimensions (length x depth x height):
 - 2300 x 950 x 1700 mm (for 40 MP model)
 - 2300 x 1100 x 1500 mm (for 40 AI model)
- Weight: 120 kg (140 kg for 40 AI model)

Options

- Side roller unit, loading side
- Side length stop, unloading side
- Pair of vertical pneumatic clamps (only for 40 MP)
- Pair of vertical pneumatic clamps with low pressure device (only for 40 AI)



40 MP - 40 AI cutting diagram



40 MP



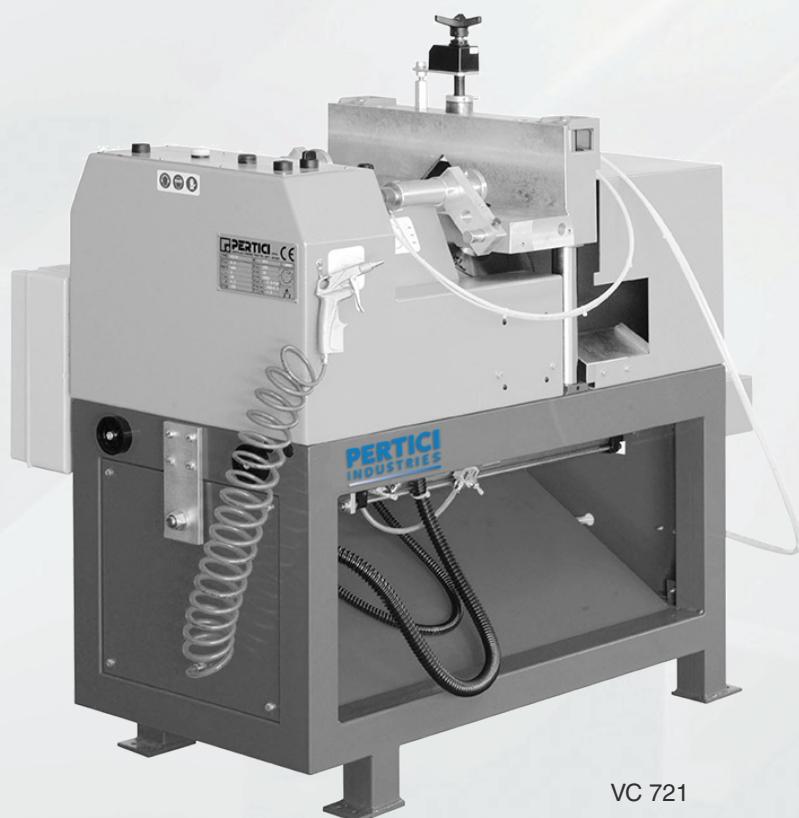
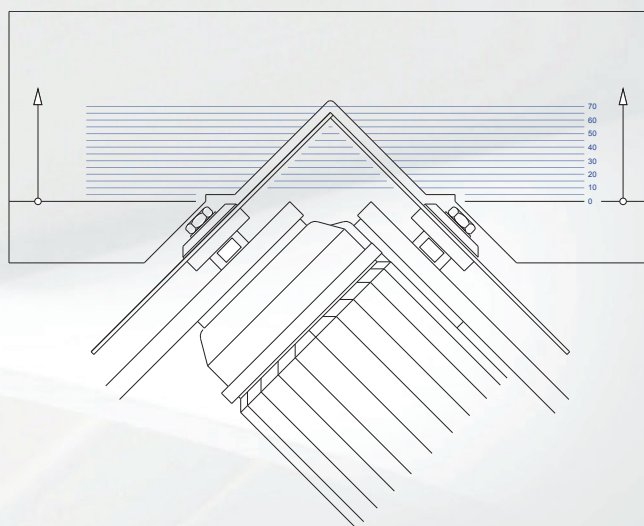
40 AI

Semiautomatic "V" cutting machine VC 721

- 2 carbide saw blades 250 mm
- Movable cutting carriage with blades set at 45°
- Pneumatic carriage feeding
- Manual setting of cut height by means of hand knob and measurement reading on decades counter.
- Pair of horizontal pneumatic clamps
- Blade motor power: 1,1 kW + 1,1 kW
- Blades speed: 2800 rpm
- Power supply: 2,3 kW
- Air consumption: 30 NI/'
- Dimensions (length x depth x height):
 - 650 x 1530 x 1240 mm
- Weight: 180 kg

Options

- Side stops
- Side support
- Pair of vertical pneumatic clamps
- Aluminium version



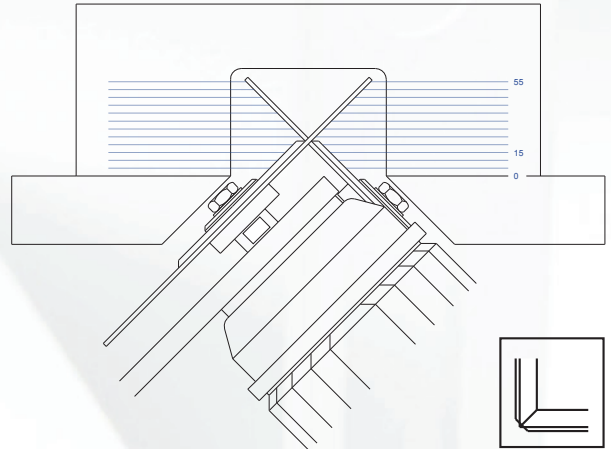
VC 721

Semiautomatic beads cutting machine BS 772

- 2 HSS saw blades 225 mm (for 45° cut)
- 2 HSS saw blades 103 mm (for internal bevelling for the fitting of the bead)
- Moveable cutting carriage with blades tilted at 45°
- Pneumatic carriage feeding
- 2 pairs of vertical pneumatic clamps
- Blade motor power: 1,1 kW + 1,1 kW
- Blades speed: 2800 rpm
- Adjustable glass simulator system for two glazing beads, 12 positions
- Adjustable clamping system at 6 positions
- A pair of counterblocks for standard glazing beads
- Power supply: 2,3 kW
- Air consumption: 30 NI'
- Dimensions (length x depth x height):
 - 650 x 1530 x 1240 mm
- Weight: 180 kg

Options

- Infeed profile support
- Side support complete with measuring gauge
- VISUAL RF electronic length stop
- Electronic Measuring Instrument EC01 RF
- Single phase motor



VISUAL RF



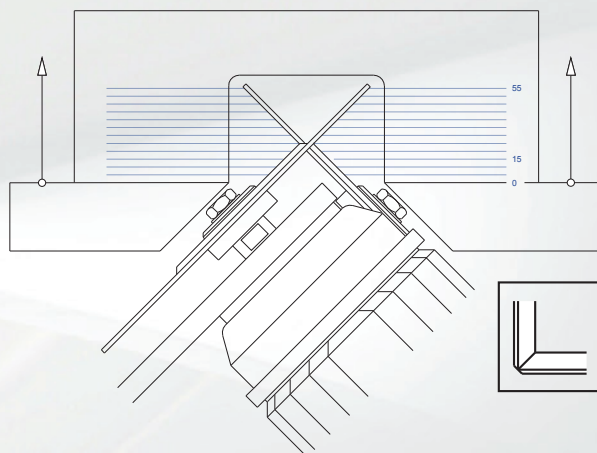
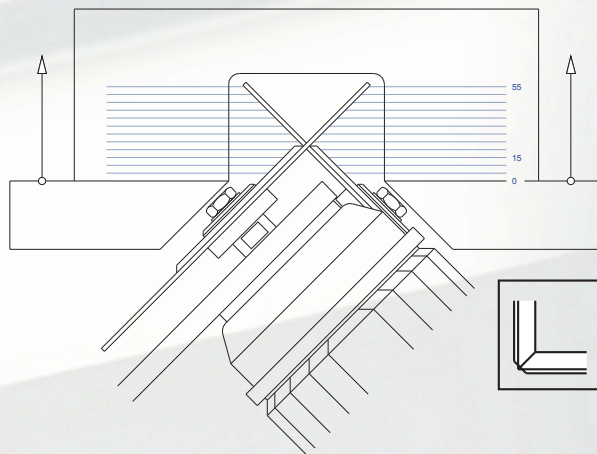
BS 772

Semiautomatic beads cutting machine BS 771

- 2 HSS saw blades 225 mm (for 45° cut)
- 2 HSS saw blades 103 mm (for internal bevelling for the fitting of the bead)
- Moveable cutting carriage with blades tilted at 45°
- Vertical adjustment of the profiles support.
- Pneumatic carriage feeding.
- Manual setting of cut height by means of hand knob and measurement reading on decade counter
- Pair of vertical pneumatic clamps
- Blade motor power: 1,1 kW + 1,1 kW
- Blades speed: 2800 rpm
- Power supply: 2,3 kW
- Air consumption: 30 NI/'
- Dimensions (length x depth x height):
 - 650 x 1530 x 1240 mm
- Weight: 180 kg

Options

- Infeed profile support
- Side support complete with measuring gauge
- VISUAL RF electronic length stop
- Electronic Measuring Instrument EC01 RF
- Single phase motor



VISUAL RF



BS 771



Length stops and infeed roller support

Models

pag

NEW	Length stop VISUAL RF	15
NEW	Electronic measuring instrument EC01RF	15
NEW	Length stop VISUAL ES	16
NEW	Length stop VISUAL EM	16
NEW	Length stop VISUAL M	17
	Infeed roller support ROLLER	17

Length stop VISUAL RF

- Positioning of the length stop electronically controlled
- Positioning of length stop by entering only the measure
- Reception of cutting lists by means of a radio module which receives data from the electronic gauge EC01RF
- Storing of a cutting list with 2000 measures from:
 - keyboard
 - radio interface
 - ethernet port
 - USB port
- Sequence of positioning according to the cutting list
- Length control system by Magnetic ruler having tolerance: +/- 0,1 mm
- 3 meter length
- Power supply: 0,5 kW
- Dimensions (length x depth x height):
 - 3600 x 950 x 1700 mm
- Weight: 140 kg

Control features

- Programmable electronic controller.
- Touch screen industrial PC panel TFT 10"
- Ethernet port
- USB-Port

Options

- Bar code reader

Electronic measuring instrument EC01RF

- Reading and storing of the length of the aluminium or PVC beads
- Magnetic reading system
- Sending of measures to VISUAL RF by means of a radio module
- Measuring instrument range: 170 mm ÷ 2200 mm
- Backlight LCD display and a membrane keyboard
- Maximum distance of data transmission in open space: 70 mts
- Turn automatically off after some minutes of inactivity
- Instrument accuracy: +/- 0,1 mm
- Power supply: batteries

Options

- Extra length 1 m



Length stop VISUAL ES

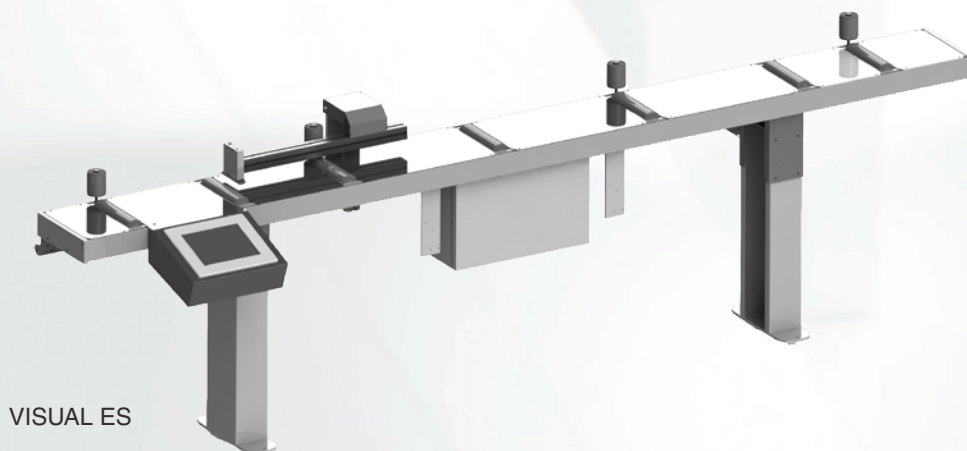
- Positioning of the length stop electronically controlled
- Positioning of length stop by entering only the measure
- Positioning of the length stop with correction for 45° cuts
- Storing of a cutting list with 2000 measures from:
 - keyboard/ethernet port/USB port
- Storing of profiles: up to 200
- Sequence of positioning according to the cutting list
- Length control system by magnetic ruler having tolerance: +/- 0,1 mm
- Roller support length (according to the model):
 - 3000 mm
 - 4000 mm
 - 5000 mm
 - 6000 mm
- Power supply: 0,5 kW
- Air consumption: 1 NI/'
- Dimensions (length x depth x height) / weight according to the model:
 - 3600 x 750 x 1150 mm / 130 kg (3 m model)
 - 4600 x 750 x 1150 mm / 155 kg (4 m model)
 - 5600 x 750 x 1150 mm / 197 kg (5 m model)
 - 6600 x 750 x 1150 mm / 252 kg (6 m model)

Control features

- Programmable electronic controller
- Touch screen industrial PC panel TFT 10"
- Ethernet port
- USB-Port

Length stop VISUAL EM

- Manually operated by means of a hand wheel
- Length control system by magnetic ruler having tolerance: +/- 0,1 mm
- Digital electronic display
- Roller support length (according to the model):
 - 3000 mm
 - 4000 mm
 - 5000 mm
 - 6000 mm
- Power supply: Battery
- Dimensions (length x depth x height) / weight according to the model:
 - 3650 x 600 x 1150 mm / 88 kg (3 m model)
 - 4650 x 600 x 1150 mm / 114 kg (4 m model)
 - 5650 x 600 x 1150 mm / 129 kg (5 m model)
 - 6650 x 600 x 1150 mm / 140 kg (6 m model)



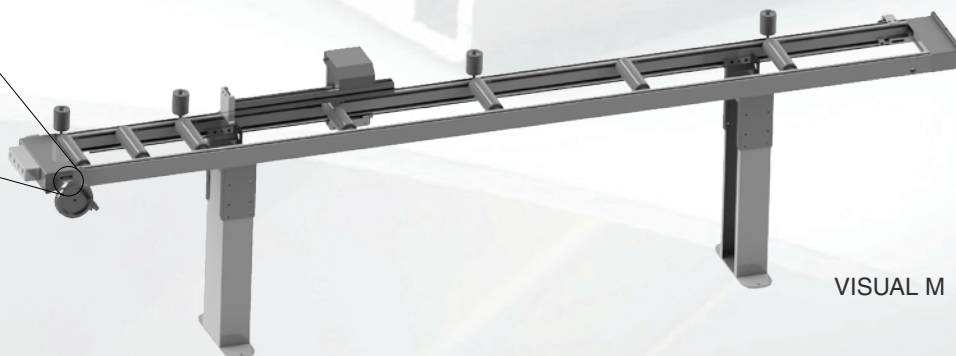
VISUAL ES



VISUAL EM

Length stop VISUAL M

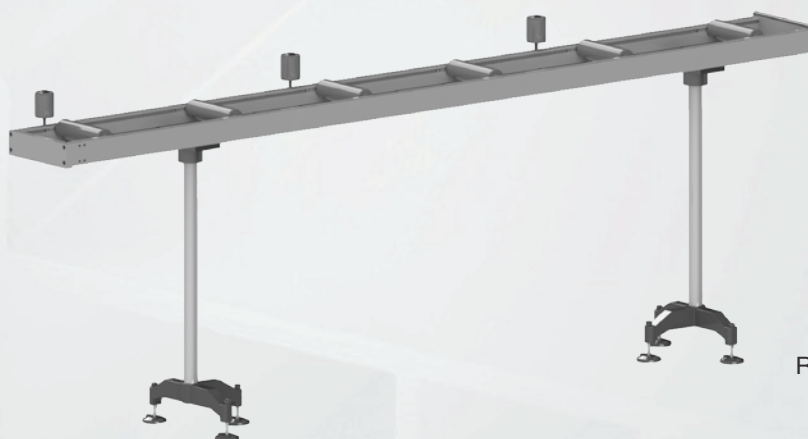
- Manually operated by means of a handwheel
- Position reading using an electronic read out
- Roller support length (according to the model):
 - 3000 mm
 - 4000 mm
 - 5000 mm
 - 6000 mm
- Power supply: Battery
- Dimensions (length x depth x height) / weight according to the model:
 - 3650 x 600 x 1150 mm / 88 kg (3 m model)
 - 4650 x 600 x 1150 mm / 114 kg (4 m model)
 - 5650 x 600 x 1150 mm / 129 kg (5 m model)
 - 6650 x 600 x 1150 mm / 140 kg (6 m model)



VISUAL M

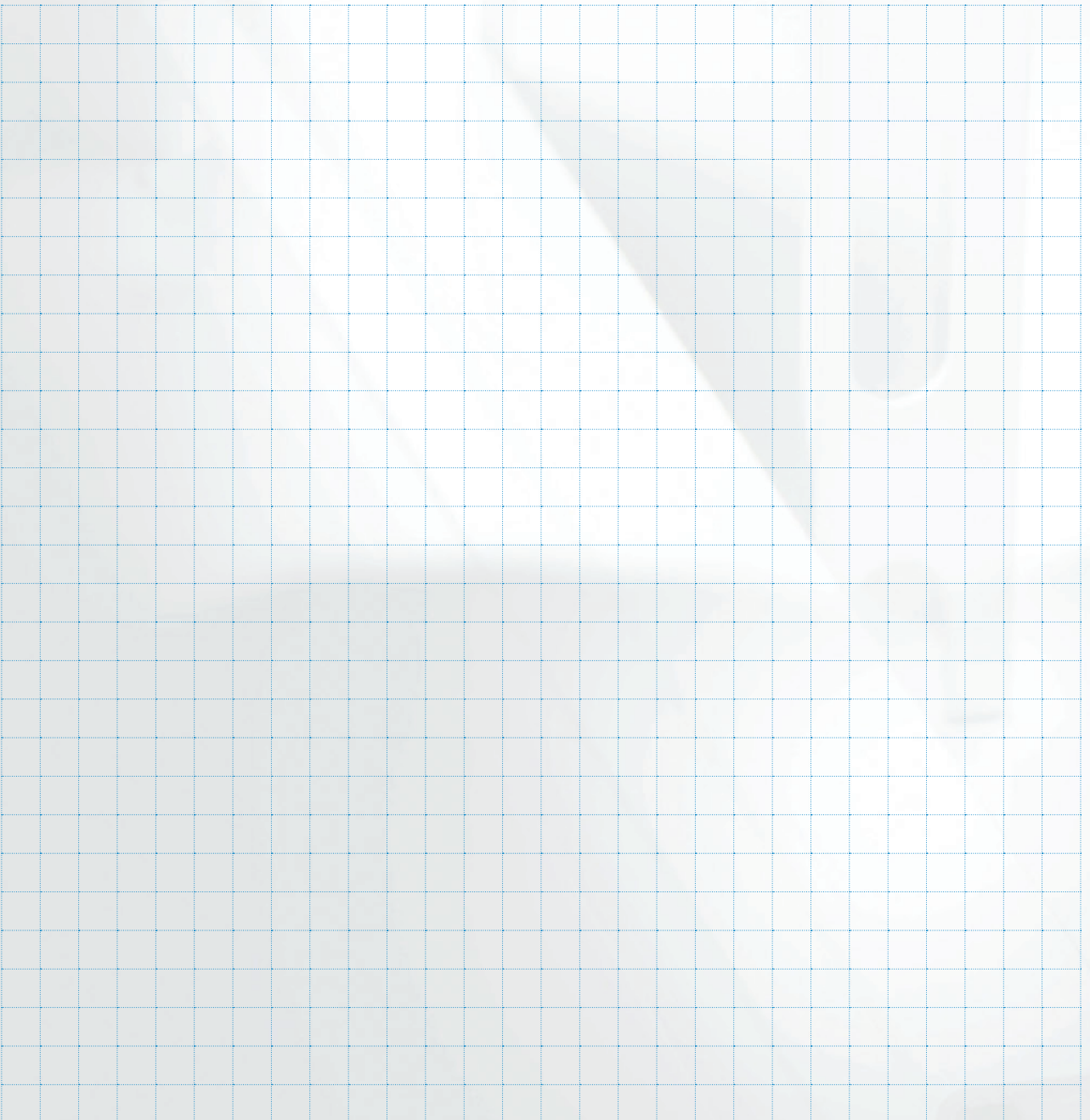
Infeed roller support ROLLER

- Roller support length (according to the model):
 - 3000 mm
 - 4000 mm
 - 5000 mm
 - 6000 mm
- Dimensions (length x depth x height) / weight according to the model:
 - 3060 x 330 x 940 mm / 26 kg (3 m model)
 - 4060 x 330 x 940 mm / 29 kg (4 m model)
 - 5060 x 330 x 940 mm / 57 kg (5 m model)
 - 6060 x 330 x 940 mm / 64 kg (6 m model)



ROLLER

NOTE

A large grid of small squares, typically used for drawing or calculations. The grid consists of 20 columns and 30 rows of small squares, forming a large rectangular area for detailed work.



Data contained in this catalogue are not binding. **PERTICI** reserves the right to carry out any modifications deemed necessary to this catalogue for technical and commercial reasons.

Pertici Industries

Via delle Città,41/43

50052 Certaldo (Firenze) Italy

Telefono +39 0571 652365 Fax +39 0571 652991

e-mail: info@pertici.it - www.pertici.it