

[E[M]CONOMY
means:]

emco industrial
training

Designed for your profit



Not just training: Real action!
CONCEPT MILL 260

CNC training with industrial performance

Concept MILL 260

The new Concept Mill 260 combines all benefits of the proven CM 250 with comprehensive improvements in the areas of: Drive technology, optimized technical data, a new Design, drive power of 6,8 kW and a 20-station tool magazine with double-gripper. With the stable and compact construction the Concept Mill 260 fits even in smallest space.

[Tool magazine]

- 20-station tool magazine
- Quick release with double-gripper
- Tool system SK 30 DIN 69871

[Control]

- Latest digital AC control technology
- 21,5" Touchscreen
- MOC: Integrated PC
- WinNC: All standard NC controls on one machine
- Multifunction wheel

[Main drive]

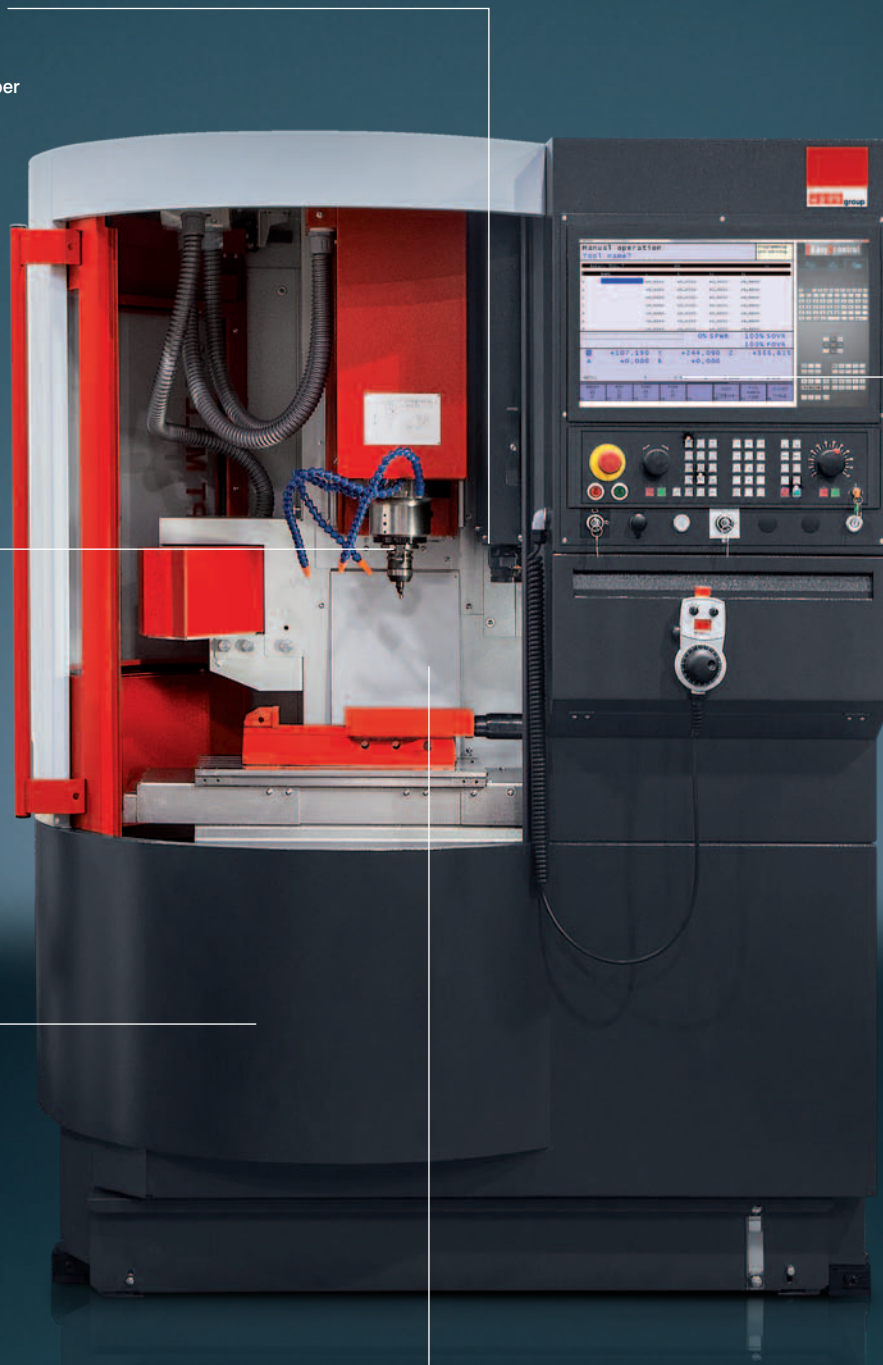
- Infinitely variable main drive
- Powerful asynchronous AC motor
- Main spindle bearing: Lifetime lubricated

[Machine base]

- Stable construction

[Machine design]

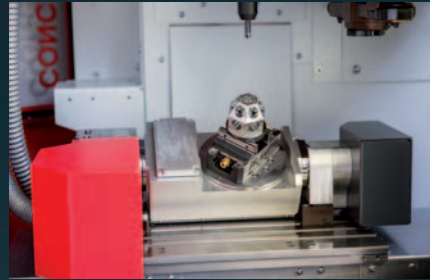
- Stable, gray cast-iron construction
- Profile rails in X / Y / Z with automatic central oil lubrication



[Engineering]

Highlights

- High drive speed
- 20-tool magazine
- Tool tapper SK30 according DIN 69871
- Stable and compact machine construction
- Best view when fully enclosed
- USB and Ethernet interface integrated
- Servo motor technology in all axes
- Made in the Heart of Europe



4th - / 5th axis: A rotary table can be mounted on the machine table, which can be expanded modularly to a tilting/rotary unit (4 - / 5th axis): This allows the CM260 to be used for 5-axis machining (3 + 2).

[Interchangeable Controls]

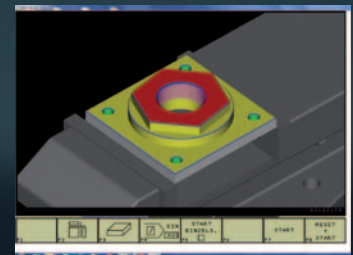
The concept of the interchangeable control unit, which can be fitted to all Concept machines, is unique. It enables the user to be trained on all CNC industry controls that are common on the market needing just one machine. The result: The CNC technicians can be applied more flexibly, which provides a significant competitive advantage for both the company and employees.



The change to a different control system is carried out within a minute by calling up the respective software



WinNC for Fanuc 31i-B including Manual Guide i as an expansion to the known WinNC controls



Simulation suitable for training using Win3D View

[Easy2control: New operating concept]

Optional it is possible to equip the machine with the latest software of the interchangeable control, with which control specific and machine keyboards of the WinNC can be displayed on a 16:9 Full-HD screen – Easy2control.

The different panels for machine, control and quick access can be switched via tabs.

The buttons and rotary knobs can either be operated by using the mouse or in case a Full HD touchscreen is used directly on the keys and switches on the monitor.



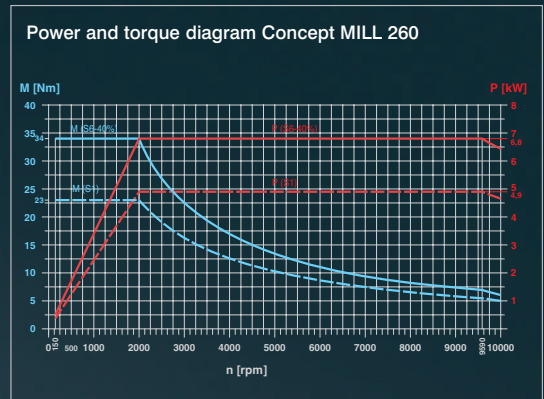
Easy2control

[Engineering]

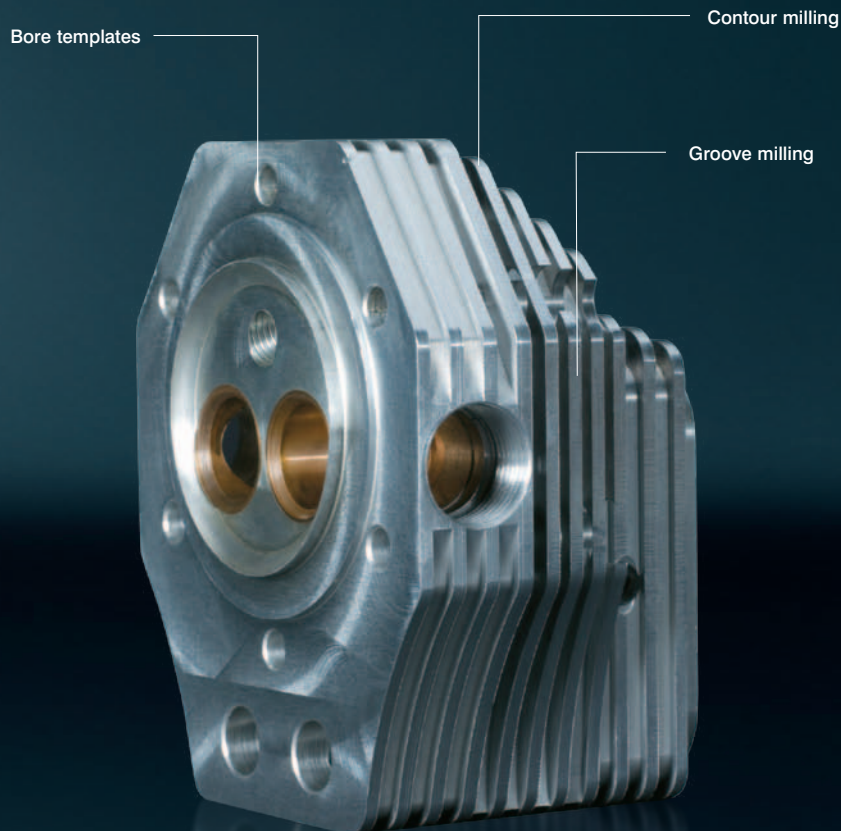
Options

- Turning-tilting Table (4th/5th axis)
- Automatic door
- Large number of automation possibilities
- Chip conveyor
- Coolant system
- Integration into FMS and CIM systems using DNC and robotic interface

Power



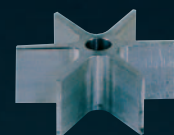
[Workpieces]



Milled part
(Aluminum)

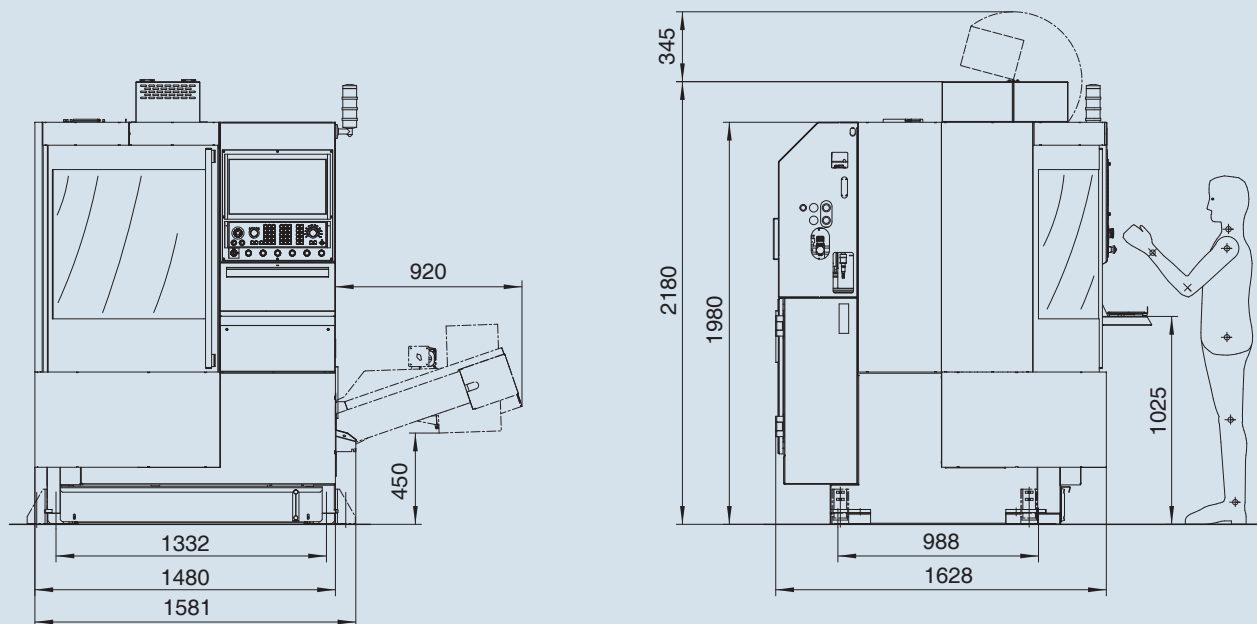


Cutter head
(Non-ferrous metal)



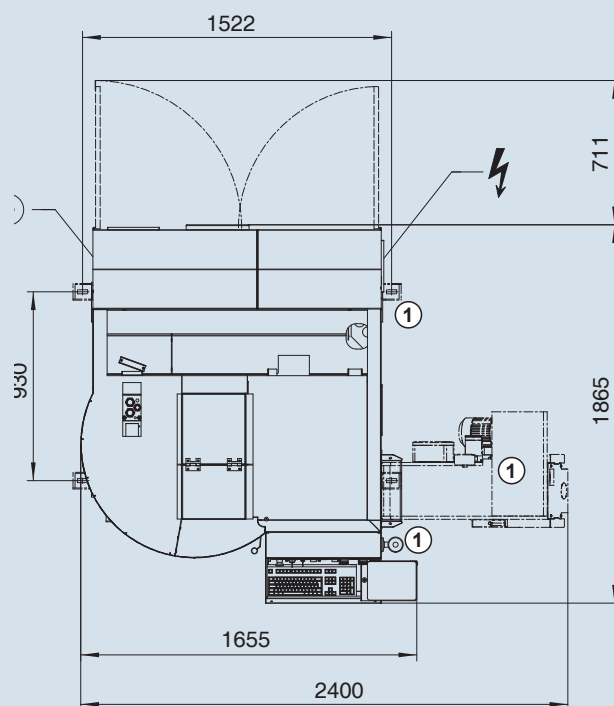
Rotor
(Aluminum)

Installation plan



Specifications in millimeters (inches)

Installation plan



①.....Option

Specifications in millimeters (inches)

[Technical data]



Designed for your profit

CONCEPT MILL 260

Work area	
Travel along X axis	350 mm (13.8")
Travel across Y axis	250 mm (9.8")
Travel vertical Z axis	300 mm (11.8")
Min. distance spindle nose - table surface	120 mm (4.72")
Max. distance spindle nose - table surface	420 mm (16.54")
Table	
Table dimensions (L x W)	520 x 300 mm (20.4 x 11.8")
T-slots: Quantity, width, spacing:	5 x 12 x 45
Max. table load	100 kg (220 lb)
Milling spindle	
Max. speed	150 – 10000 rpm
Power asynchronous AC motor	6,8 kW
Maximum torque	34 Nm
Drive	infinitely variable
Axes	
Rapid motion speed in X/Y/Z axes	24 m/min (94.4"/min)
Work feed	0 - 10 m/min (0-39.3"/min)
Max. feed force	3000 N
Positioning variation acc. to VDI 3441 (X/Y axis)	0.004 mm (0.00016")
Positioning variation acc. to VDI 3441 (Z axis)	0.004 mm (0.00016")

Tool system	
Number of tool stations	20
Tool taper according DIN 69871	SK 30
Tool management	chaotic*
Max. tool diameter (*free adjacent pockets)	63 (*80) mm 2.5" (*3.15")
Max. tool length	200 mm (7.9")
Max. permissible tool weight	5 kg (11 lb)
Tool changing time	2.5 s
General data	
Connected load	9 kVA
Machine diameters (L x W x H)	1600 x 1700 x 2200 mm (63 x 66.9 x 86.5")
Weight	1970 kg (4334 lb)
Compressed air required	6 bar

EMCO WinNC controls

SIEMENS Operate 840D sl / 828D
SIEMENS 810D/840D
FANUC Series 31i
FAGOR 8055 TC
Heidenhain TNC 426/430



EN4637 - 10/16 - Subject to change due to technical progress. Errors and omissions excepted.

www.emco-world.com