

### Innovative clamping system

The Workline series semiautomatic saws are equipped with an innovated clamping system and offer comfortable operation through a full-stroke cylinder as well as stable support of the material on the clamping vice.

#### 1 Tightening system

With the tightening system, the material is clamped against both the vertical jaw and the horizontal bearing surface. The tightening system prevents imprecise cuts due to the lifting of clamped, especially round and support materials..

#### 2 Channelled clamping jaws

The whole surface of the clamping jaws is channelled, providing strong material clamping.

#### 3 Clamping jaw guiding

The clamping jaw is laid on hardened and ground guide rails. For maintenance purposes, the guide rails may be easily replaced.

#### Tightening system function

The cylinder clamping pressure is distributed through an integrated mechanism, with a double effect – clamping a material against the fixed clamping jaw as well as the material bearing surface.

### Elaborated to every detail

#### Micro-spray system

Ideal for cutting pipes and sections – the MICRONIZER micro-spray unit applies a grease film on the teeth points and the rear side of the band.

#### Chips removing pistol

The chip removing pistol serves for fast and simple cleaning of the machine from chips and burrs.

#### Band-tension measuring device

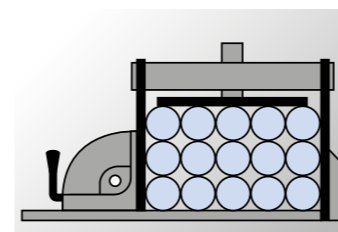
TENZOMAT – a sensitive and precise device for measuring the band tensioning, providing the control of the band tensioning after tool replacement.

#### LaserLiner

A laser unit copies the exact line in the saw band axis to the material. LaserLine allows precise adjustment of a marked material.

#### Digital displaying of mitre cuts

The precise display of mitre cuts is shown by an adjusted angle with 0.1° accuracy.



#### Bundle clamping device

The bundle clamping device provides clamping of layers and bundles with an additional vertical clamping unit.



#### Band tensioning indicator

The band tensioning indication provides a permanent control of the band tensioning, even during the machine operation.



#### Third coolant supply

For extra wide materials, a third coolant supply is installed. The coolant supply is flexible and may be adjusted individually to the material shape.



#### Halogen light

A strong halogen light for comfortable lighting of the whole workspace.



#### Connection parts

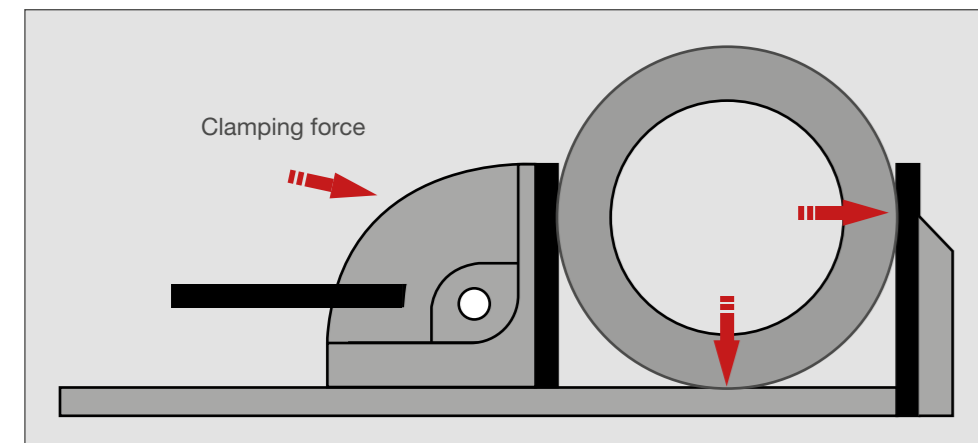
For each Workline saw, a connection part is available, including all connecting places for the T handling system.



Workline 410.280  
Workline 510.350  
Workline 610.450



## WORKLINE SEMIAUTO

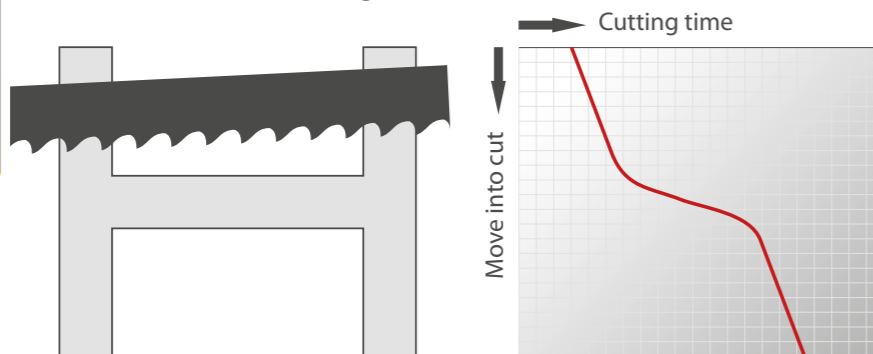


### ADFR Highest precision. Fast cutting. Minimal wear.



The ADFR system regulates automatically and in real time the coordination of the cutting pressure and downfeeding. The saw band current loading and the cutting course according to the material shape are regulated with a sensor. With materials of bigger cross-sections, the cutting channel is extended and the saw band loading increased. If the downfeeding in this section is not adjusted automatically, the saw band lifetime may profoundly shorten or the cutting time may significantly extend due to smaller downfeeding.

#### ADFR function in cutting



#### ADFR system

All semiautomatic saws of the Workline series are equipped with the ADFR system.



#### Handling System T – Strong partner in handling

With the bearing capacity up to 600 kg and a wide range of accessories and connection parts to BOMAR band saws, the T system is an ideal partner for handling materials in your workshop. Thanks to the default lengths of 2 and 3 m, the roller tracks may be adjusted to any environment.

#### TRA measuring stop

The stop support is adjusted manually and its position is shown on the digital display with 0.1 mm accuracy. The stop arm may be tilted upwards to enable the material to pass freely.



#### Overview of technical data

Marking	Width	Modules	Rollers	Ø of rollers	Feet	Bearing capacity
T 440	440mm	2000mm	6	70mm	3	600kg/m
	440mm	3000mm	10	70mm	4	600kg/m
T 540	540mm	2000mm	6	70mm	3	600kg/m
	540mm	3000mm	10	70mm	4	600kg/m
T 640	640mm	2000mm	6	70mm	3	600kg/m
	640mm	3000mm	10	70mm	4	600kg/m

Workline **NH series** – strong cut at 90°

The NH series Workline machines are intended for straight cuts in a semi-automatic mode. A fully hydraulic clamping device with a tightening system provides ideal material clamping, and in connection with cutting pressure sensitive regulation presents a suitable solution for your tasks.

**Equipment** as an argument

- Comfortable, simple operation with a swivelling control panel
- An innovative, fully hydraulic clamping vice with a tightening system
- Continuous regulation of the band speed with a frequency converter within the 20–120 m/min range
- Sensitive regulation of the cutting pressure for automatic material adjustment
- Brushes for removing chips, synchronous with the band speed
- All control elements located on the front side of the machine



Workline **GH series** – universal comfortable operation

Thanks to mitre cuts up to 60° and simple operation, the Workline GH series is an irreplaceable solution for workshops and plants. This universal machine is equipped with a downfeed hydraulic vice and a large angular scale.

**Equipment** as an argument

- Continuous right mitre cuts up to 60°
- An easy-to-read angular scale right by a clamping lever for adjusting mitre cuts
- A full-stroke hydraulic vice with a tightening system
- Continuous regulation of the band speed with a frequency converter within the 20–120 m/min range
- A chip collecting, removable tank with a drainage sieve above the coolant vessel
- Brushes for removing chips, synchronous with the band speed
- A control panel with all control elements located ergonomically on the front side of the machine



Workline **DGH series** – solution for steel structures

With mitre cuts up to 60° range to both sides, including cutting pressure series regulation, the Workline DGH series is an ideal basic model for the production of steel structures. Thanks to a wide range of accessories and handling possibilities, the saw will soon become an ideal solution for your needs.

**Equipment** as an argument

- Continuous both-sided mitre cuts up to 60°
- A large, easy-to-read angular scale on the front side of the machine by the mitre cuts clamping lever
- A full-stroke hydraulic vice with a tightening system
- An easily movable clamping vice for mitre cuts
- A large hydraulic unit
- Brushes for removing chips, synchronous with the band speed
- A simple, easy-to-read control panel
- Electronic control of the band tensioning and rupture



Overview of **technical data**

	0°	45°	60°	right	left	right	left
Workline <b>410.280</b> NH	280 mm	410x280 mm	410x280 mm	280 mm	150 mm	150 mm	
Band saw	3800x0,9x27 mm						
Driving power	2,2 kW						
Band speed	20–120 m/min						
Workline <b>510.350</b> NH	350 mm	510x350 mm	510x350 mm	350 mm	250 mm	250 mm	
Band saw	4780x1,1x34 mm						
Driving power	3 kW						
Band speed	20–120 m/min						
Workline <b>610.450</b> NH	450 mm	610x450 mm	610x450 mm	450 mm	250 mm	250 mm	
Band saw	5200x1,1x34 mm						
Driving power	3 kW						
Band speed	20–120 m/min						



Only 0° cuts



Hydr. lifting of the saw frame  
Hydr. material clamping  
Semiautomatic cutting cycle with the return to the default position

**Elaborated** to every detail



**Precise**

The saw band guiding is equipped with a hardmetal precision guide. Guiding rolls relieve the saw band and increase the cutting precision.



**Tightening system**

The hydraulic vice is equipped with a Workline series tightening system.



**Plain and well-arranged**

The control panel integrates all control elements.

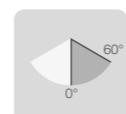


**Massive guiding**

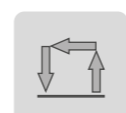
The saw guide arm, adjustable individually upon the material width, is laid on a massive ground prismatic guiding.

Overview of **technical data**

	0°	45°	60°	right	left	right	left
Workline <b>410.280</b> GH	280 mm	410x280 mm	410x280 mm	280 mm	150 mm	150 mm	
Band saw	3800x0,9x27 mm						
Driving power	2,2 kW						
Band speed	20–120 m/min						
Workline <b>510.350</b> GH	350 mm	510x350 mm	510x350 mm	350 mm	250 mm	250 mm	
Band saw	4780x1,1x34 mm						
Driving power	3 kW						
Band speed	20–120 m/min						
Workline <b>610.450</b> GH	450 mm	610x450 mm	610x450 mm	450 mm	250 mm	250 mm	
Band saw	5200x1,1x34 mm						
Driving power	3 kW						
Band speed	20–120 m/min						



Continuous adjustment of mitre cuts within 0°–60°, with a large and easy-to-read angular scale



Hydr. lifting of the saw frame  
Hydr. material clamping  
Semiautomatic cutting cycle with the return to the default position

**Elaborated** to every detail



**Massive bearing surface**

A large material bearing surface directly beneath the saw band with a large area for precise cuts.



**Easy-to-read**

A large angular scale with an easy-to-read indicator located on the front side of the clamping vice.



**Mitre cuts**

The saw frame clamping is located ergonomically and effectively above the angular scale.

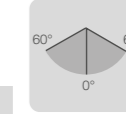


**Synchronous**

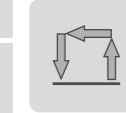
A driven brush for removing chips is always synchronous with the band speed.

Overview of **technical data**

	0°	45°	60°	right	left	right	left
Workline <b>410.280</b> DGH	280 mm	410x280 mm	410x280 mm	280 mm	150 mm	150 mm	
Band saw	3800x0,9x27 mm						
Driving power	2,2 kW						
Band speed	20–120 m/min						
Workline <b>510.350</b> DGH	350 mm	510x350 mm	510x350 mm	350 mm	250 mm	250 mm	
Band saw	4780x1,1x34 mm						
Driving power	3 kW						
Band speed	20–120 m/min						
Workline <b>610.450</b> DGH	450 mm	610x450 mm	610x450 mm	450 mm	250 mm	250 mm	
Band saw	5200x1,1x34 mm						
Driving power	3 kW						
Band speed	20–120 m/min						



Both-sided mitre cuts continuously adjustable within the 0–60° range, with a large, easy-to-read angular scale



Hydr. lifting of the saw frame  
Hydr. material clamping  
Semiautomatic cutting cycle with the return to the default position

**Elaborated** to every detail



**Movement possibilities**

The moveable clamping device for mitre cuts, with double laying, may be moved easily.



**Mitre cuts display**

A large display for showing mitre cuts is located on the front side by the clamping lever.



**Guiding**

The vice jaw with the tightening system is equipped with large, replaceable guiding elements.



**Monitoring**

Workline machines are equipped with electronic monitoring of the band tensioning and possible rupture.

**Certified safety**

- ! All saws of the Workline series are delivered with a Declaration of conformity with the current machinery EU Directive, issued by TÜV Süd for the Czech Republic.